

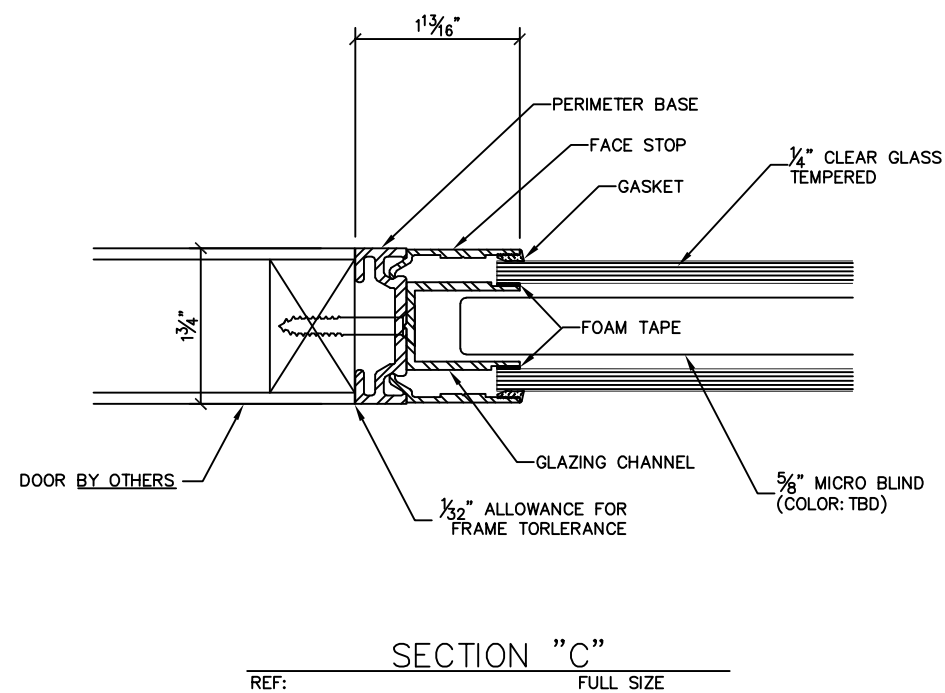
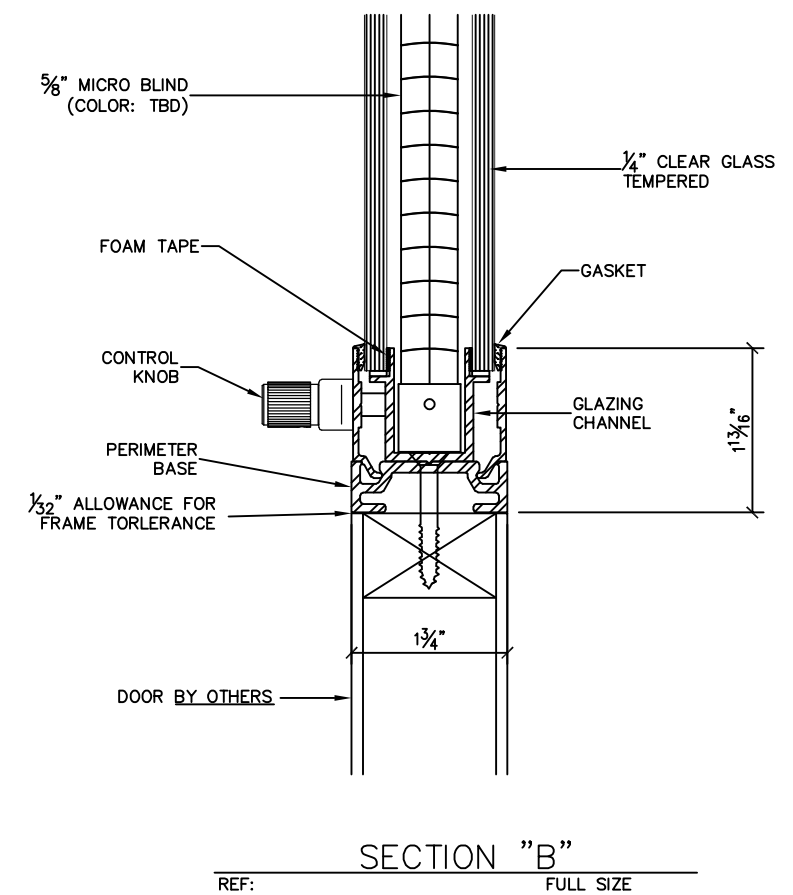
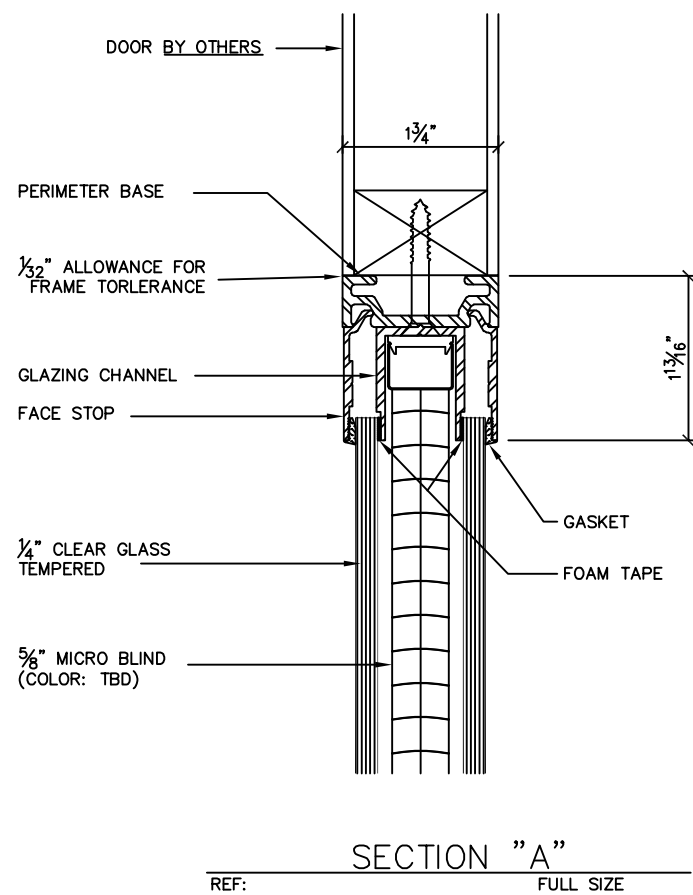
NOTE TO ARCHITECT, GENERAL CONTRACTOR & ALPHA COMMERCIAL BLINDS CUSTOMERS

ALL DIMENSIONS & CONDITIONS MUST BE FIELD VERIFIED PRIOR TO FABRICATION

ALPHA COMMERCIAL BLINDS WILL ASSUME THESE SHOP DRAWINGS ARE CORRECT AS DRAWN IF THE ABOVE NOTE & "PLEASE VERIFY" NOTES THROUGHOUT THESE DRAWINGS ARE NOT ADDRESSED, NOT VERIFIED OR COMPLETELY IGNORED

SIGNATURE OF APPROVAL OF DIMENSIONS AND CONDITIONS INDICATED ON THESE DRAWINGS ARE CORRECT AS SHOWN OR AS CORRECTED AND HEREBY AUTHORIZE FABRICATION OF THE MATERIALS HEREON

DATE



1 THIS

**NOTES**

- 1/4" CLEAR TEMPERED GLASS INTERIOR & EXTERIOR (BY CUSTOMER)
- ALUMINUM FRAME IN A CLEAR ANODIZED FINISH
- 5/8" MICROBLIND (COLOR: TBD)
- STRAIGHT CONTROL KNOB (BOTTOM RH CORNER)



**ALPHA**  
Commercial Blinds

P.O. Box 30005  
Little Rock, AR 72260-0005  
10900 Otter Creek East Blvd.  
Mabelvale, AR 72103  
501-455-1324  
501-455-0364

REVISIONS	JOB NAME:
	DOOR BLIND UNIT W/OUT TRIM
	LOCATION:
	ARCHITECT:
	CUSTOMER:
	DATE:
	SHEET NO: 1