

**ELEVATION**

REF: SCALE: 3" = 1'-0"

HOLLOW METAL FRAMING & WALL SYSTEM BY OTHERS

1/32" CLEARANCE/ SHIM AND CAULK AS REQ. (TYP)

1 3/16" x 4" x 1/8" ALUMINUM CHANNEL

1/32" CLEARANCE/ SHIM AND CAULK AS REQ.

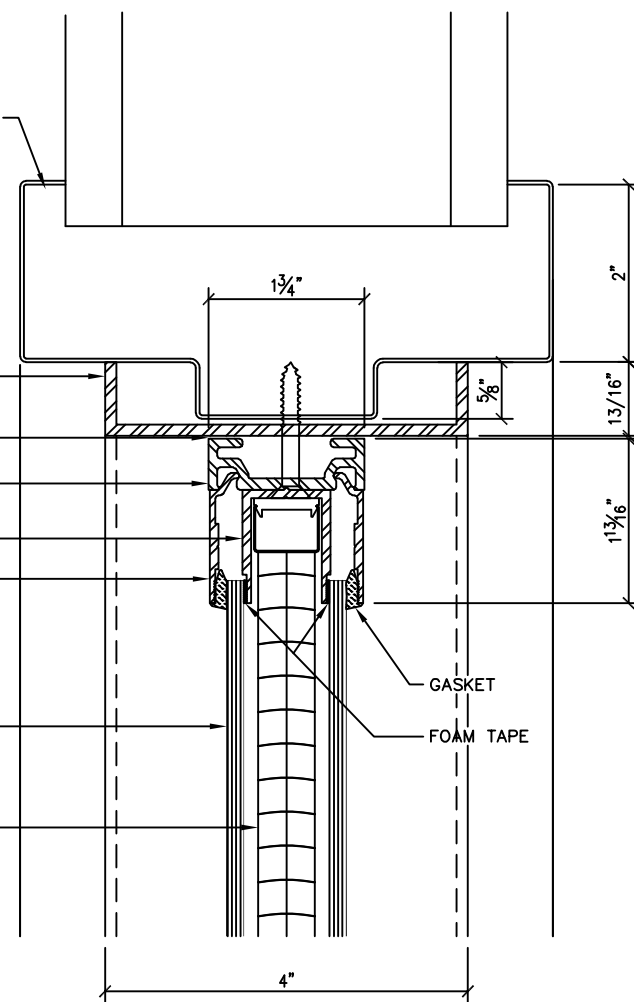
PERIMETER BASE

GLAZING CHANNEL

FACE STOP

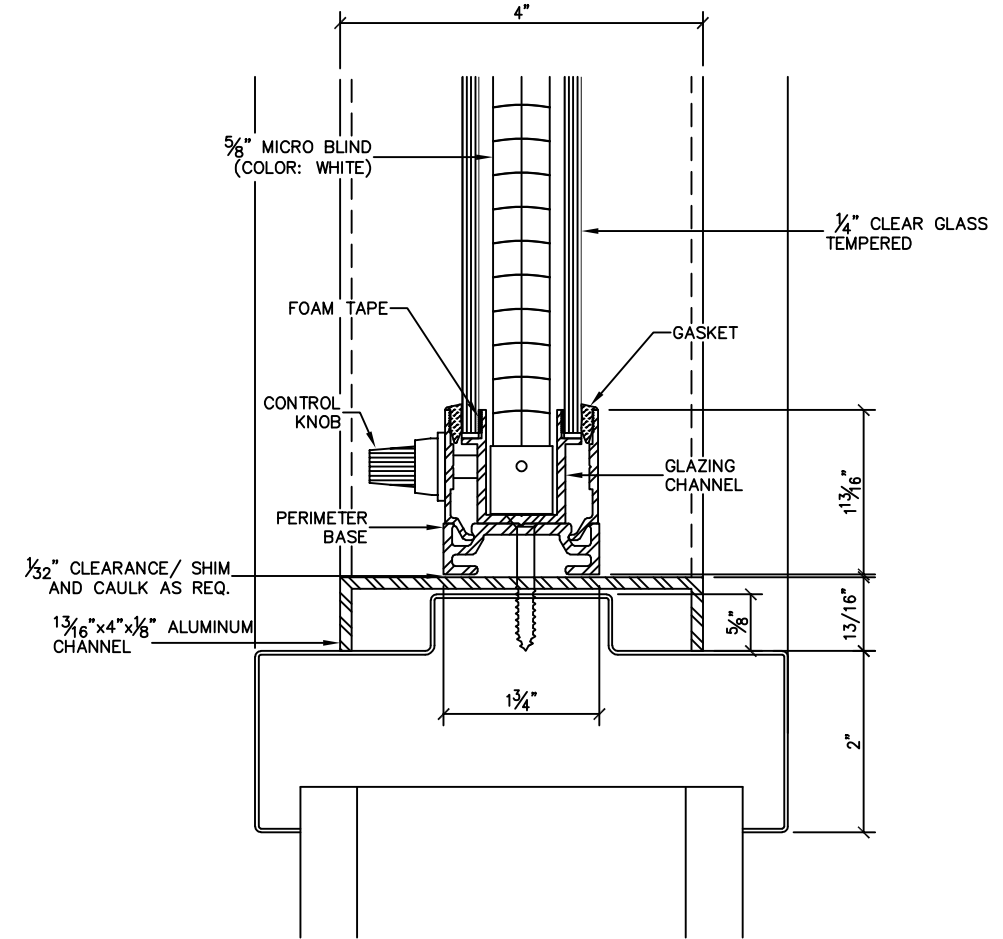
1/4" CLEAR GLASS TEMPERED

5/8" MICRO BLIND (COLOR: OFF WHITE)



**SECTION "A"**

REF: FULL SIZE



**SECTION "B"**

REF: FULL SIZE

2 THUS

**NOTES**

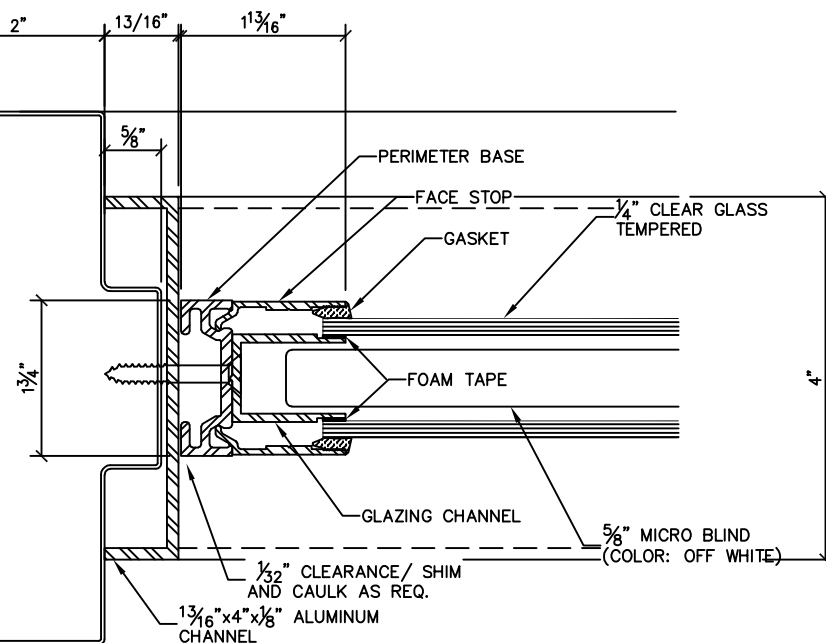
- 1/4" CLEAR TEMPERED GLASS INTERIOR & EXTERIOR (BY CUSTOMER)
- ALUMINUM FRAME IN A CLEAR ANODIZED FINISH
- 5/8" MICROBLIND (COLOR: OFF WHITE)
- STRAIGHT CONTROL KNOB (BOTTOM RIGHT CORNER)

NOTE TO ARCHITECT, GENERAL CONTRACTOR & ALPHA COMMERCIAL BLINDS CUSTOMERS

ALL DIMENSIONS & CONDITIONS MUST BE FIELD VERIFIED PRIOR TO FABRICATION

ALPHA COMMERCIAL BLINDS WILL ASSUME THESE SHOP DRAWINGS ARE CORRECT AS DRAWN IF THE ABOVE NOTE & "PLEASE VERIFY" NOTES THROUGHOUT THESE DRAWINGS ARE NOT ADDRESSED, NOT VERIFIED OR COMPLETELY IGNORED

HOLLOW METAL FRAMING & WALL SYSTEM BY OTHERS



**SECTION "C"**

REF: FULL SIZE

SIGNATURE OF APPROVAL OF DIMENSIONS AND CONDITIONS INDICATED ON THESE DRAWINGS ARE CORRECT AS SHOWN OR AS CORRECTED AND HEREBY AUTHORIZE FABRICATION OF THE MATERIALS HEREON



**ALPHA**  
Commercial Blinds

P.O. Box 30005  
Little Rock, AR 72260-0005  
10900 Otter Creek East Blvd.  
Mabelvale, AR 72103  
501-455-1324  
501-455-0364

REVISIONS  ADR CHECK: DRAWN: SE JOB NO:	JOB NAME: <b>SAMPLE DRAWING</b>
	LOCATION: ANY TOWN USA
	ARCHITECT:
	CUSTOMER: CUSTOMER NAME
	DATE: 7/20/18
	SHEET NO: 1