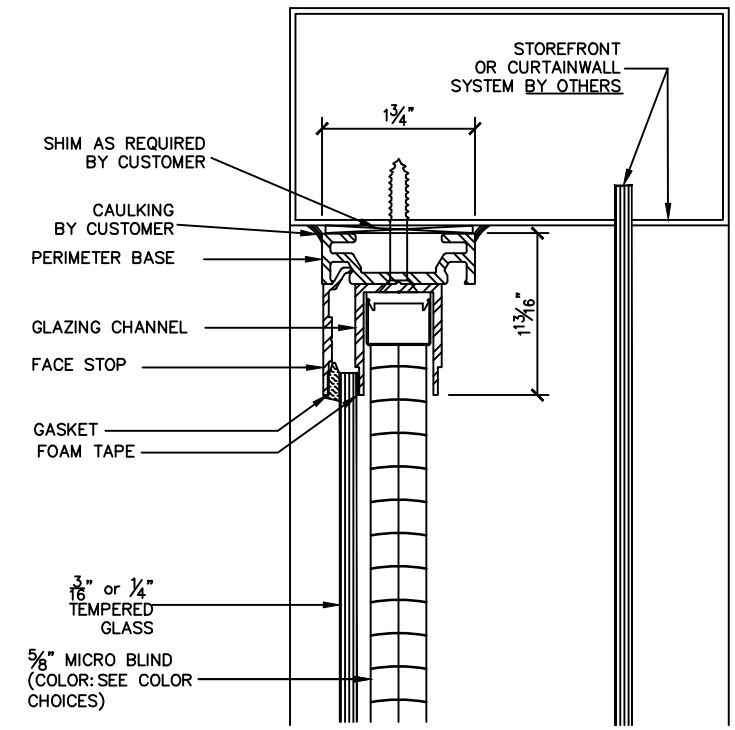
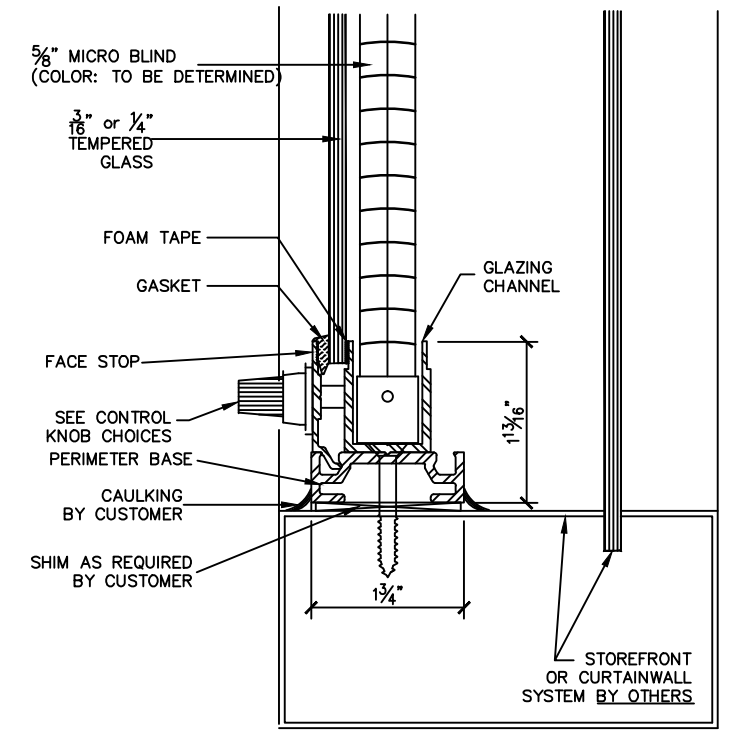


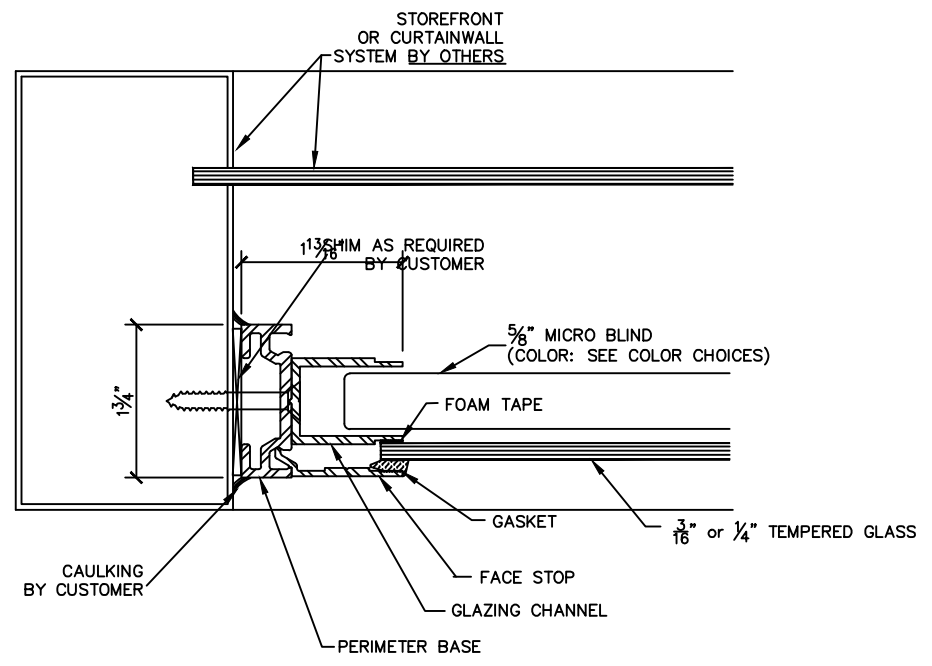
ELEVATION - INTERIOR VIEW
REF: SCALE: 3" = 1'-0"



SECTION "A"
REF: FULL SIZE



SECTION "B"
REF: FULL SIZE



SECTION "C"
REF: FULL SIZE

NOTES

- DESIGNED TO FIT 3/16" or 1/4" TEMPERED GLASS ON INTERIOR (BY CUSTOMER)
- EXTERIOR CURTAINWALL BY OTHERS
- ALUMINUM FRAME IN CLEAR or DARK BRONZE ANODIZED ALUMINUM, PAINTED OR POWDER COATED FINISH
- 5/8" MICROBLIND (COLOR: SEE COLOR CHOICES)
- SEE CONTROL KNOB CHOICES

ALPHA
Door & Rail, Inc. 3355 S. Raider Drive
Hurst, Texas 76053
817-358-8687
800-279-8428

REVISIONS	JOB NAME: 5/8" BLIND BEHIND CURTAINWALL
	LOCATION:
ADR CHECK:	ARCHITECT:
DRAWN:	CUSTOMER:
JOB NO:	DATE:
	SHEET NO: 1