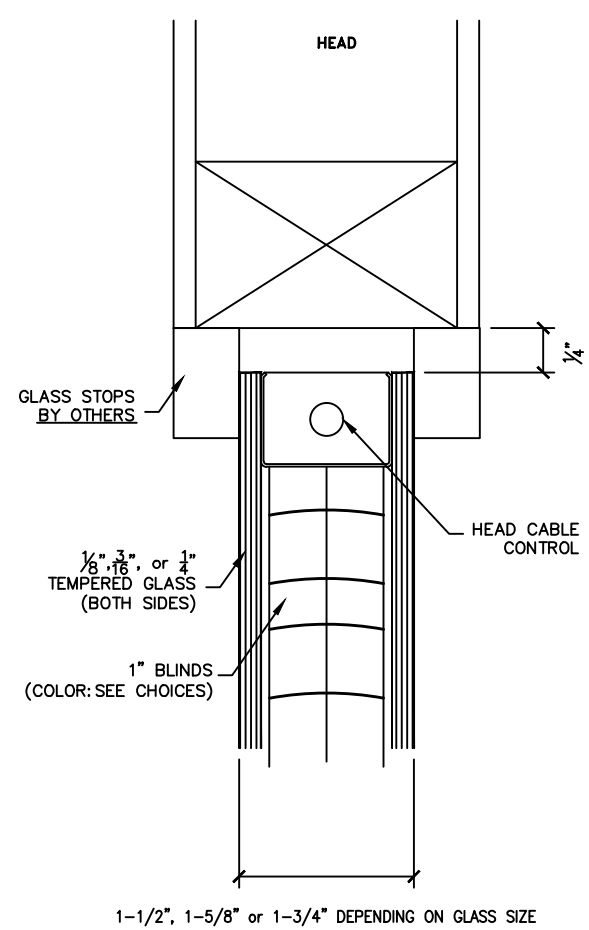
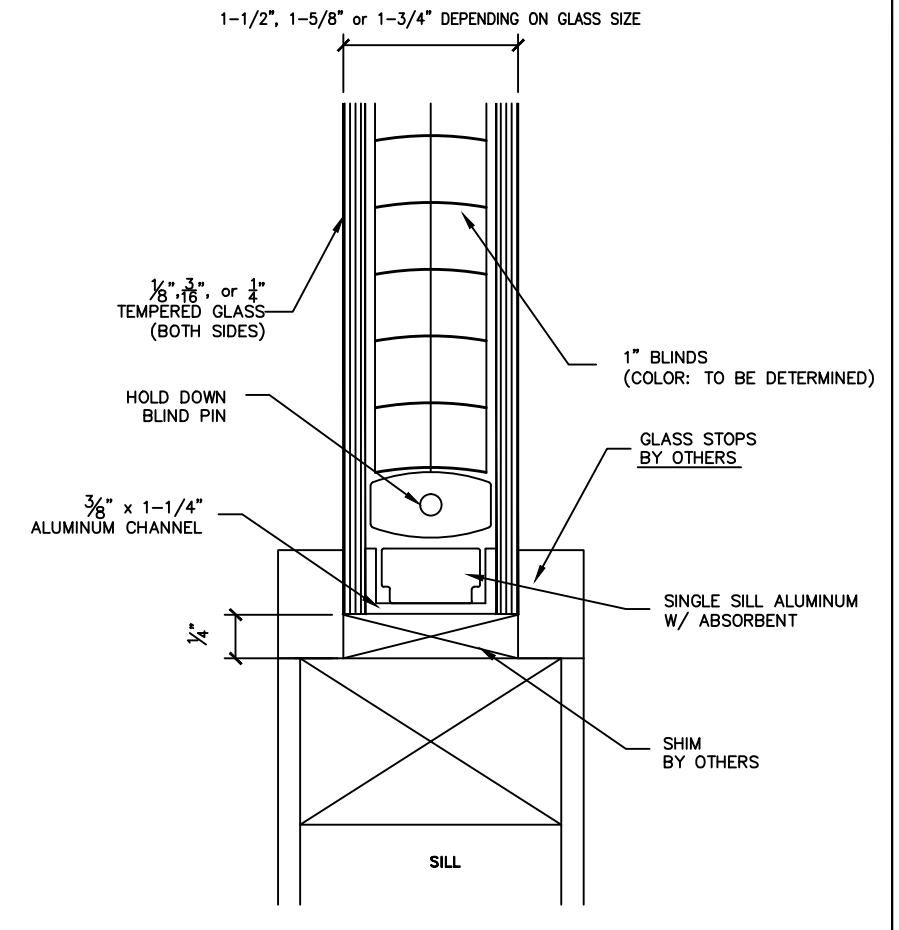


ELEVATION
REF: _____ SCALE: NTS

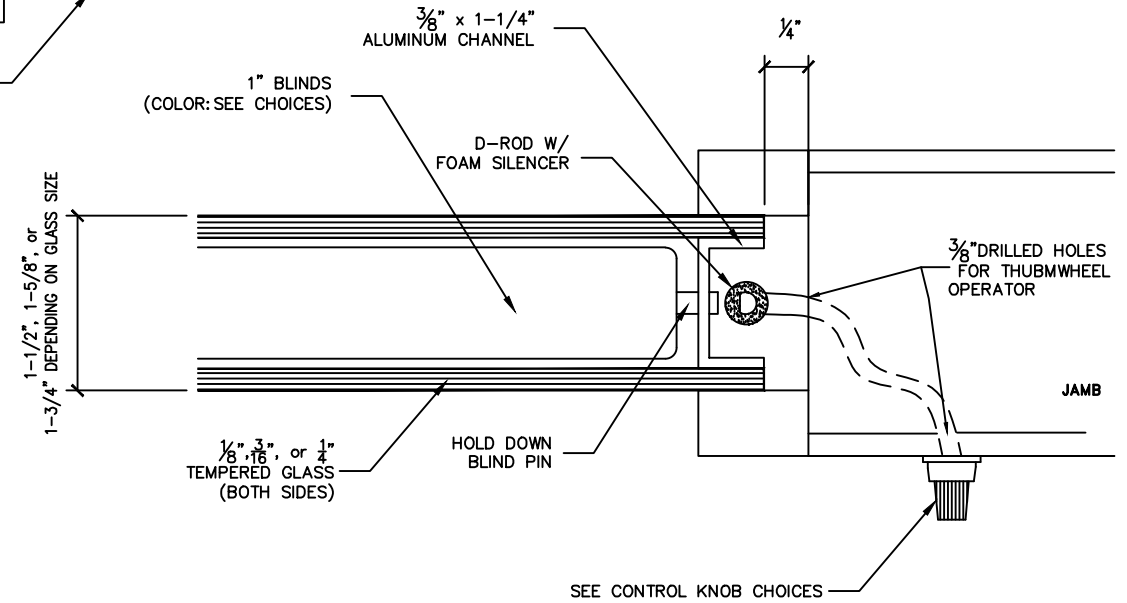
SEE CONTROL KNOB CHOICES



SECTION "A"
REF: _____ FULL SIZE



SECTION "B"
REF: _____ FULL SIZE



SECTION "C"
REF: _____ FULL SIZE

NOTES

- WITH 1/8", 3/16" or 1/4" TEMPERED GLASS INTERIOR & EXTERIOR
- GLASS SIZE WILL DETERMINE OVERALL THICKNESS (1 1/2", 1 5/8" OR 1 3/4" RESPECTIVELY)
- 1" MICROBLIND (COLOR: SEE COLOR CHOICES)
- SEE CONTROL KNOB CHOICES

ALPHA
Door & Rail, Inc. 3355 S. Raider Drive
Hurst, Texas 76053
817-358-8687
800-279-8428

REVISIONS ADR CHECK: DRAWN: JOB NO:	JOB NAME: SEALED UNIT WITH 1" BLINDS
	LOCATION:
	ARCHITECT:
	CUSTOMER:
DATE:	SHEET NO: 1