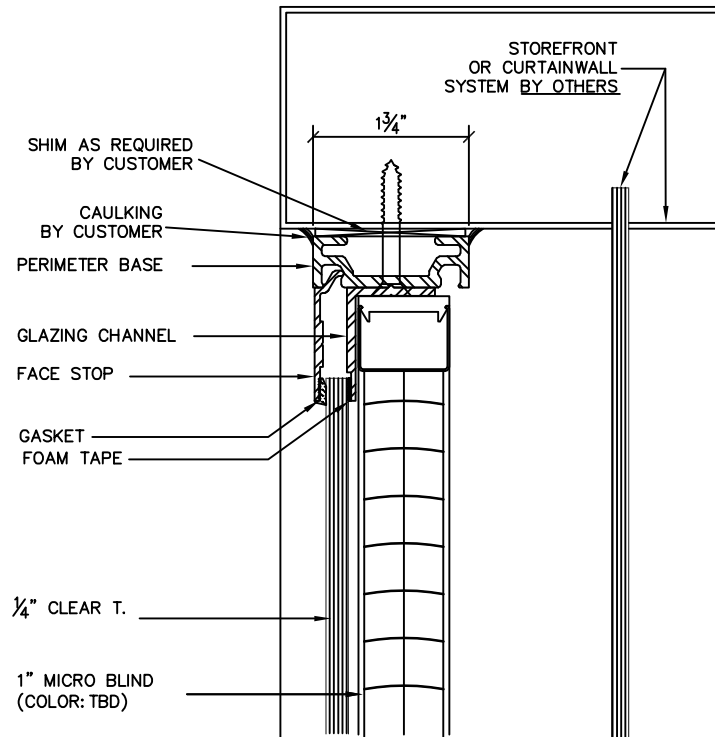
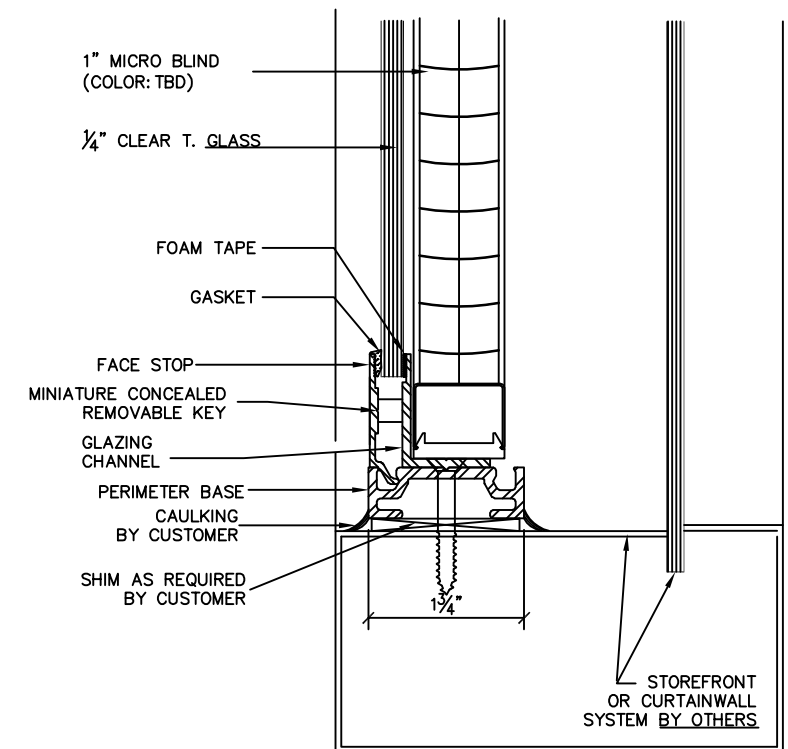


ELEVATION - INTERIOR VIEW
 REF: SCALE: 3" = 1'-0"



SECTION "A"
 REF: FULL SIZE



SECTION "B"
 REF: FULL SIZE

1 THUS

NOTES

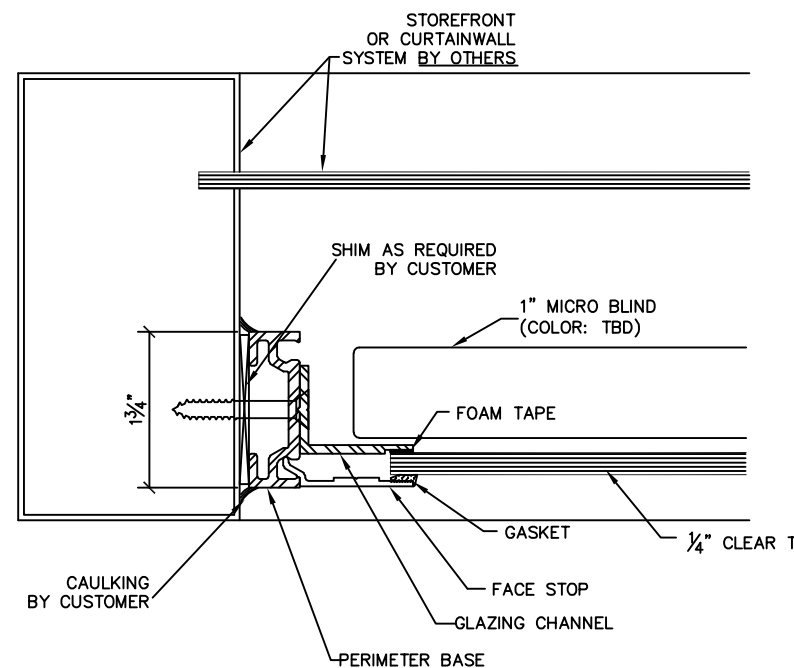
NOTE TO ARCHITECT, GENERAL CONTRACTOR & ALPHA COMMERCIAL BLINDS CUSTOMERS

ALL DIMENSIONS & CONDITIONS MUST BE FIELD VERIFIED PRIOR TO FABRICATION

ALPHA ALPHA COMMERCIAL BLINDS WILL ASSUME THESE SHOP DRAWINGS ARE CORRECT AS DRAWN IF THE ABOVE NOTE & "PLEASE VERIFY" NOTES THROUGHOUT THESE DRAWINGS ARE NOT ADDRESSED, NOT VERIFIED OR COMPLETELY IGNORED

SIGNATURE OF APPROVAL OF DIMENSIONS AND CONDITIONS INDICATED ON THESE DRAWINGS ARE CORRECT AS SHOWN OR AS CORRECTED AND HEREBY AUTHORIZE FABRICATION OF THE MATERIALS HEREON

DATE



SECTION "C"
 REF: FULL SIZE

- 1/4" CLEAR T. GLASS INTERIOR (BY CUSTOMER)
- EXTERIOR GLASS (BY CUSTOMER)
- ALUMINUM FRAME IN CLEAR ANODIZED FINISH
- 1" MICROBLIND (COLOR: TO BE DETERMINED)
- CONTROL KNOB TO BE DETERMINED (BOTTOM RIGHT CORNER)



ALPHA
 Commercial Blinds

P.O. Box 30005
 Little Rock, AR 72260-0005
 10900 Otter Creek East Blvd.
 Mabelvale, AR 72103
 501-455-1324
 501-455-0364

REVISIONS	JOB NAME:
	1 Inch Blind In Curtain Wall
	LOCATION:
	ARCHITECT:
	CUSTOMER:
	DATE:
	SHEET NO: 1

ADR CHECK: FB
 DRAWN: KM
 JOB NO: