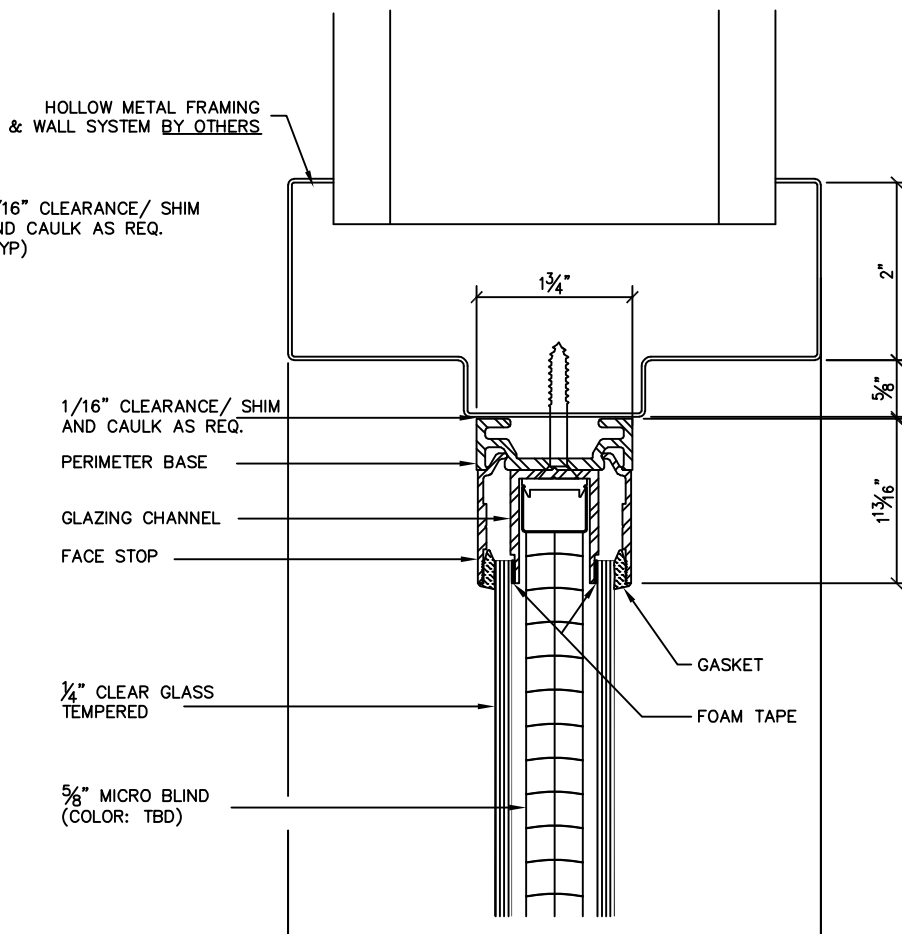
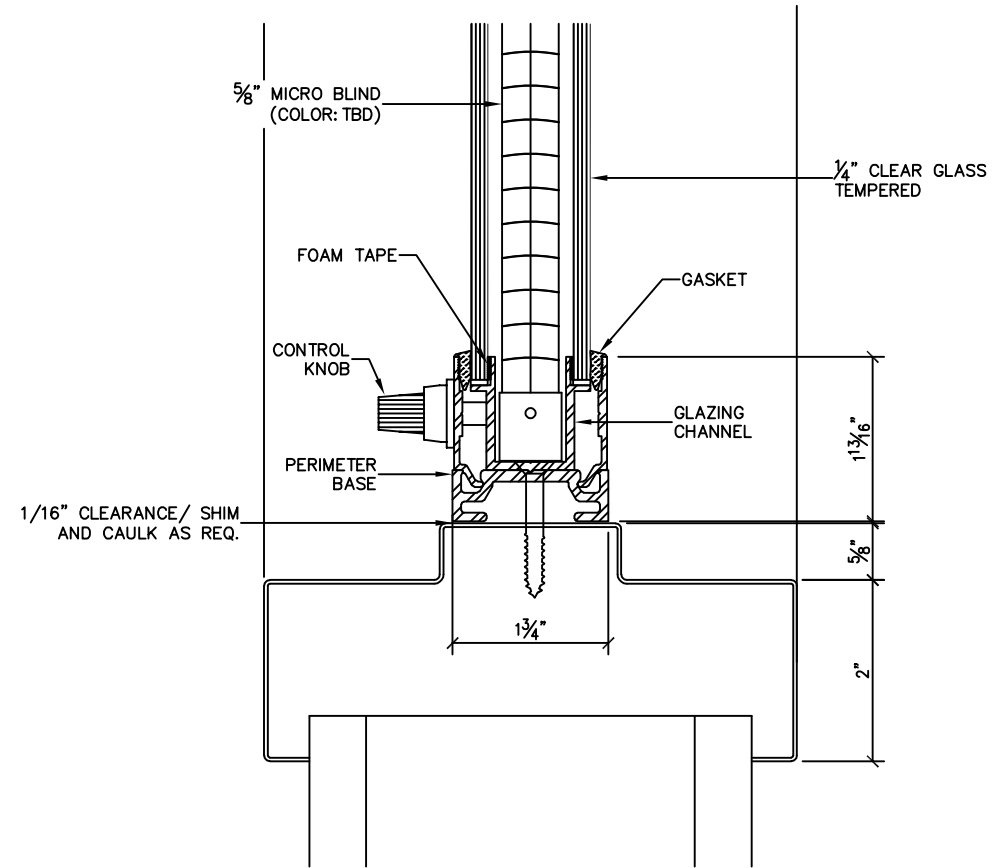


ELEVATION
REF: SCALE: 3" = 1'-0"



SECTION "A"
REF: FULL SIZE



SECTION "B"
REF: FULL SIZE

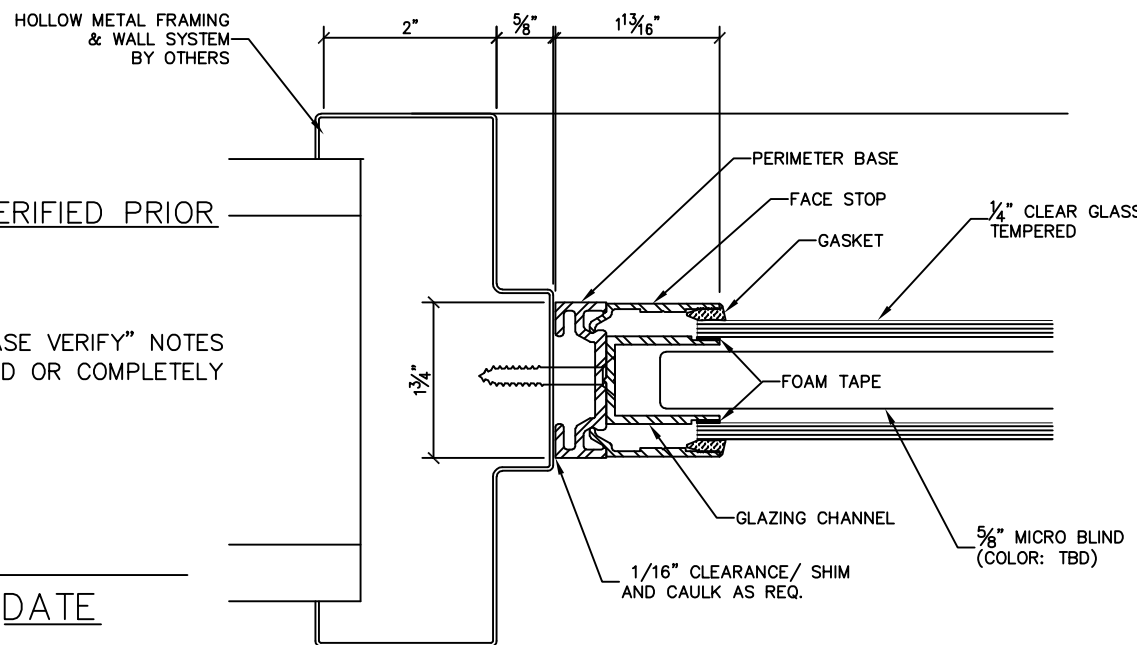
NOTE TO ARCHITECT, GENERAL CONTRACTOR & ALPHA COMMERCIAL BLINDS CUSTOMERS

ALL DIMENSIONS & CONDITIONS MUST BE FIELD VERIFIED PRIOR TO FABRICATION

ALPHA COMMERCIAL BLINDS WILL ASSUME THESE SHOP DRAWINGS ARE CORRECT AS DRAWN IF THE ABOVE NOTE & "PLEASE VERIFY" NOTES THROUGHOUT THESE DRAWINGS ARE NOT ADDRESSED, NOT VERIFIED OR COMPLETELY IGNORED

SIGNATURE OF APPROVAL OF DIMENSIONS AND CONDITIONS INDICATED ON THESE DRAWINGS ARE CORRECT AS SHOWN OR AS CORRECTED AND HEREBY AUTHORIZE FABRICATION OF THE MATERIALS HEREON

DATE



SECTION "C"
REF: FULL SIZE

1 THUS

NOTES

- 1/4" CLEAR TEMPERED GLASS INTERIOR & EXTERIOR (BY CUSTOMER)
- ALUMINUM FRAME IN A CLEAR ANODIZED FINISH
- 5/8" MICROBLIND (COLOR: TBD)
- STRAIGHT CONTROL KNOBS (BOTTOM RIGHT CORNER)



ALPHA
Commercial Blinds

P.O. Box 30005
Little Rock, AR 72260-0005
10900 Otter Creek East Blvd.
Mabelvale, AR 72103
501-455-1324
501-455-0364

REVISIONS	JOB NAME: SAMPLE DRAWING
	LOCATION:
	ARCHITECT:
	CUSTOMER:
	DATE: 1-29-16
	SHEET NO: 1